

In-Tank Pump

DW300 (9-301, 9-302, 9-303)



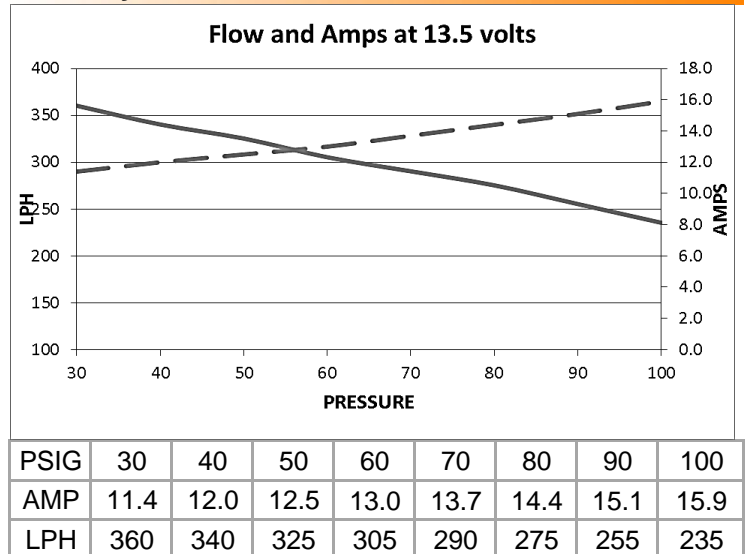
- 9-301 Standard (As Pictured)
- 9-302 Includes 3/32" Venturi Outlet
- 9-303 Includes 1/8" Venturi Outlet

The DW300 is our flagship standard fitment in-tank pump. The DW300 flows 340lph at 40psi and is a popular choice for e85 applications or wherever the highest flowing standard fitment in-tank pump is needed. Quiet operation and pulse width modulation compatibility are delivered via the turbine impeller and computer balanced armature. E85 compatibility is built in via the carbon commutators and a fully encapsulated armature. All DW fuel pumps are backed by a 3-yr no fault warranty.

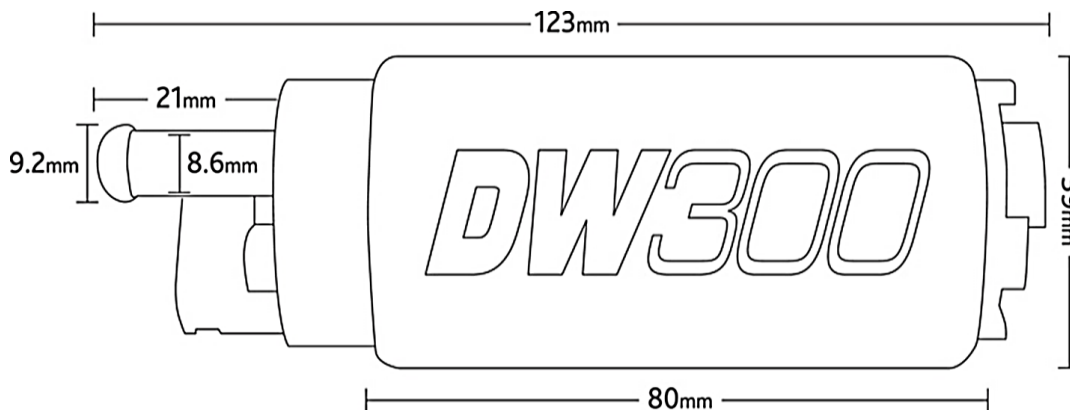
Specifications

Weight	12.6oz (360 grams)
External Materials	Electroplated Steel
Inlet Fitting	7.7mm ID, 11.0mm OD
Outlet Fitting	5/16" Hose Clamp
PRV Activation	100 psi
Impeller Design	Single Scroll Composite Turbine
Connector Terminal	Spade Pos/Neg
Min Voltage Input	6 Volts
Max Voltage Input	18 Volts
Current Draw 40psi	12 Amps (13.5v)

Delivery Characteristics



Dimensions



THIS PRODUCT MAY BE USED SOLELY ON VEHICLES USED IN SANCTIONED COMPETITION WHICH MAY NEVER BE USED UPON A PUBLIC ROAD OR HIGHWAY, UNLESS PERMITTED BY SPECIFIC REGULATORY EXEMPTION